

AspiraVision Compact for CDM

HID-AV C 35-70 / I CDM 220-240V 50/60Hz

AspiraVision is the mark of excellence in HID electronic gear technology – high-end, compact, lightweight and easy to use, with added features for optimal performance of 35, 50 and 70 W CDM lamps. The recently added switching function provides maximum flexibility for users by integrating three different wattage choices into a single driver.

Product data

• General Characteristics

Interface	-
Application code	-
Rated Lamptype	CDM
Rated Number of Lamps	1 piece
Rated Ballast-Lamp Power	35-70
Line Voltage	220-240 V
Line Frequency	50/60 Hz
Housing	/I
IP Classification	- [Not Specified]
Luminaires Suitable for Outdoor use?	No
Lifetime 90% surv.@Tcaselife	40000 hr

• Operating Characteristics

Automatic restart	Yes
Ignition switch-off time	19 min
Ignition Voltage	3.0 (min), 5.0 (max) kV
Mains voltage safety (AC)	180-264V
Mains voltage performance (AC)	198-254V
Min. Mains voltage operational	198 (min) V
Inrush current Peak	8 (max) A
Inrush current Width	10 ms
Earth leakage current	0.25 (max) mA
Lamp Power Tolerance	-3%/+3%
PowerFactor 100% output power	0.95 -

Overvoltage protection 320Vac	48 hr
Overvoltage protection 350Vac	2 hr
Overvoltage protection 400Vac	5 min
Max ballast on MCB(16A type B)	58 x
Hum and Noise level	20 dB(A)

• Wiring Characteristics

Cable-Cap output-wires mutual	160 pF
Connector type	WAGO series 804
Max. cable length Device/Lamp	2 m
Striplength	10.0-11.0 mm
Wcs Ballast contacts	0.75-2.50 mm ²

• System Chars on driver level

Lamp Power on CDM	39-73
Power Loss on CDM	5-7

• Temperature Characteristics

Active temperature protection	No
F-marking	Yes
T-case life	80 C
T-ambient	-20 (min), 45 (max) C
T-storage	-25 (min), 80 (max) C

PHILIPS

AspiraVision Compact for CDM

• Product Dimensions

Length A1	189.2 mm
Fixing Hole Distance	170.7 mm
Length A2	
Width B1	83.5 mm
Height C1	34.7 mm
Fixing Hole Diameter	4.8 mm
D1	

• Approval & Application Chars

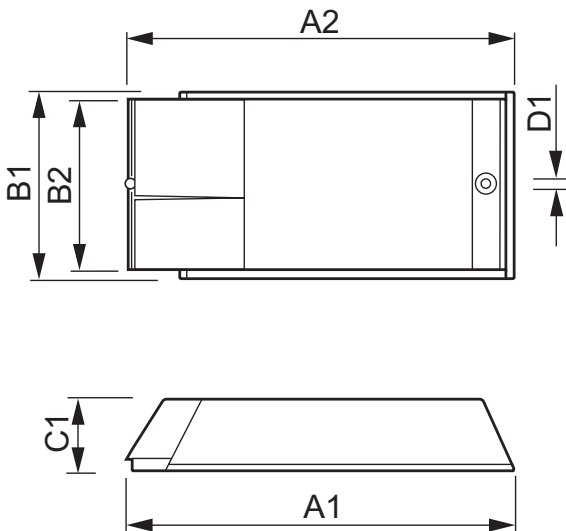
EMI 9 kHz ... 300MHz	CISPR 15 ed 7.2
Safety Standard	EN 61347-2-12 and 2-1
Harmonic current emissions	IEC 61000-3-2
Vibrations	IEC 68-2-6 Fc
Bumps	IEC 68-2-29 Eb
Humidity	IEC 60928 clause 13
Approval marks	ENEC / VDE / C-tick / EMC / CQC / HEE / CE
CE marking	Yes
ENEC certificate	Yes
VDE certificate	Yes

VDE-EMV certificate	No
Surge Protection	EN61547 (L-L 2kV, L-G 4kV)
CB Certificate	Yes

• Product Data

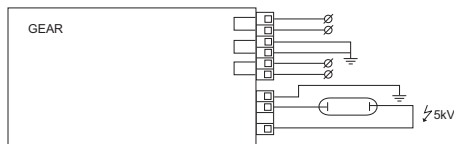
Order code	913700684066
Full product code	913700684066
Full product name	HID-AV C 35-70 // I CDM 220-240V 50/60Hz
Order product name	HID-AV C 35-70 // I CDM 220-240V 50/60Hz
Pieces per pack	1
Packing configuration	12
Packs per outerbox	12
Bar code on pack - EAN1	8718291233121
Bar code on outerbox - EAN3	8718291233138
Logistic code(s) - 12NC	913700684066
Net weight per piece	0.330 kg

Dimensional drawing



HID-AV C 35-70 // I CDM 220-240V 50/60Hz

Product	A1 (Norm)	A2 (Norm)	B1 (Norm)	B2 (Norm)	C1 (Norm)	D1 (Norm)
HID-AV C 35-70 // I CDM 220-240V 50/60Hz	189.2	170.7	83.5	-	34.7	4.8



© 2015 Koninklijke Philips N.V. (Royal Philips)
All rights reserved.

Specifications are subject to change without notice. Trademarks are the property of Koninklijke Philips N.V. (Royal Philips) or their respective owners.

www.philips.com/lighting

2015, August 29
data subject to change